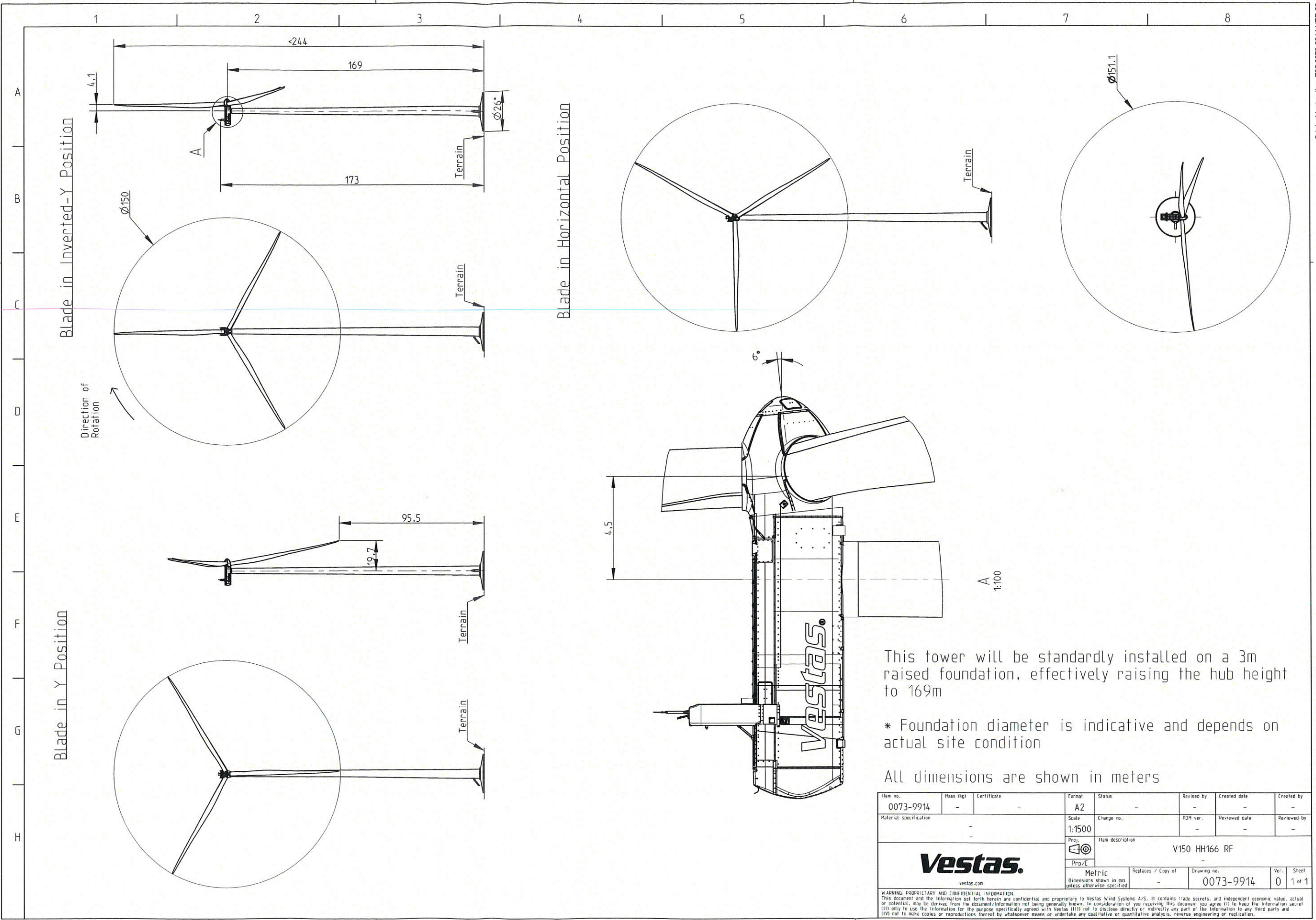


RESTRICTED



This tower will be standardly installed on a 3m raised foundation, effectively raising the hub height to 169m

* Foundation diameter is indicative and depends on actual site condition

All dimensions are shown in meters

Item no. 0073-9914	Mass (kg) -	Certificate -	Formal A2	Status -	Revised by -	Created date -	Created by -
Material specification -			Scale 1:1500	Change no. -	PDM ver. -	Reviewed date -	Reviewed by -
Pro: Pro/E			Item description V150 HH166 RF				
Vestas. vestas.com			Metric	Replaces / Copy of -	Drawing no. 0073-9914	Ver. 0	Sheet 1 of 1
<p><small>WARNING: PROPRIETARY AND CONFIDENTIAL INFORMATION. This document and the information set forth herein are confidential and proprietary to Vestas Wind Systems A/S. It contains trade secrets, and independent economic value, actual or potential, may be derived from the document/information not being generally known. In consideration of your receiving this document you agree (i) to keep the information secret (ii) only to use the information for the purpose specifically agreed with Vestas (iii) not to disclose directly or indirectly any part of the information to any third party and (iv) not to make copies or reproductions thereof by whatever means or undertake any qualitative or quantitative analysis, reverse engineering or replication.</small></p>							

VESTAS PROPRIETARY NOTICE: This document contains valuable confidential information of Vestas Wind Systems A/S. It is protected by copyright law as an unpublished work. Vestas reserves all patent, copyright, trade secret, and other proprietary rights to it. The information in this document may not be used, reproduced, or disclosed except as provided in writing and subject to applicable conditions. Vestas disclaims all warranties except as expressly granted by written agreement and is not responsible for unauthorized use for which it may incur legal remedies against responsible parties.